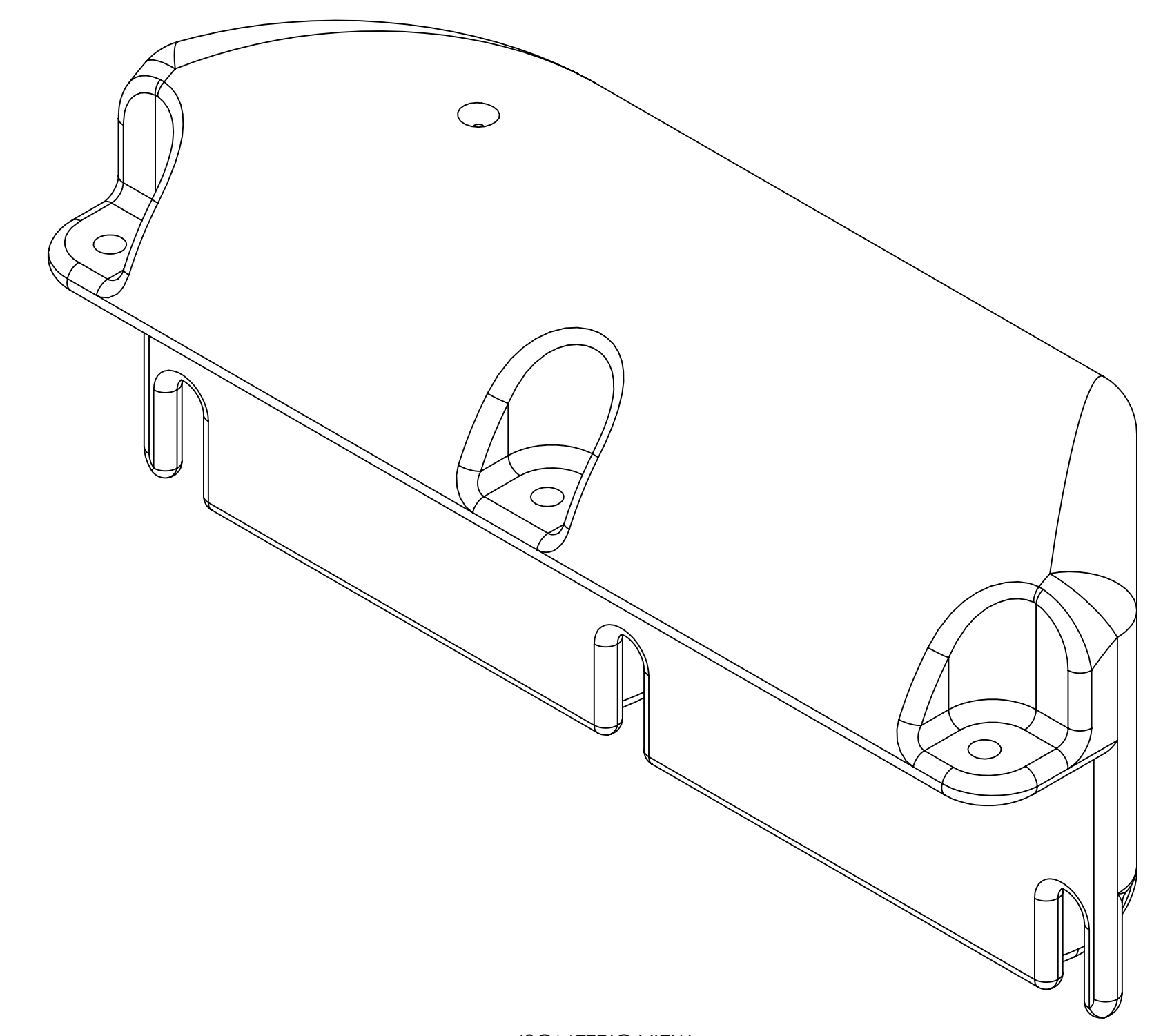
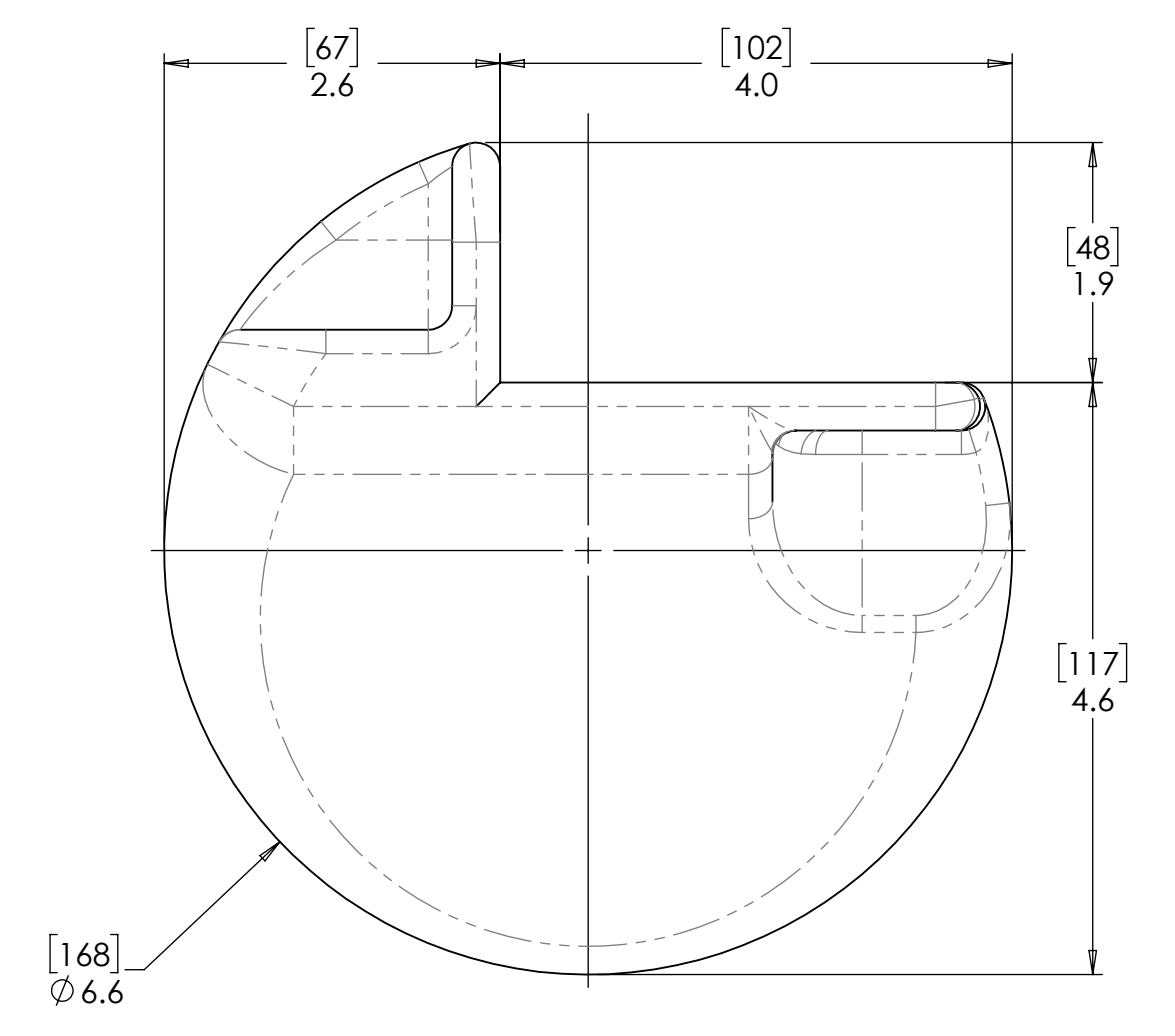
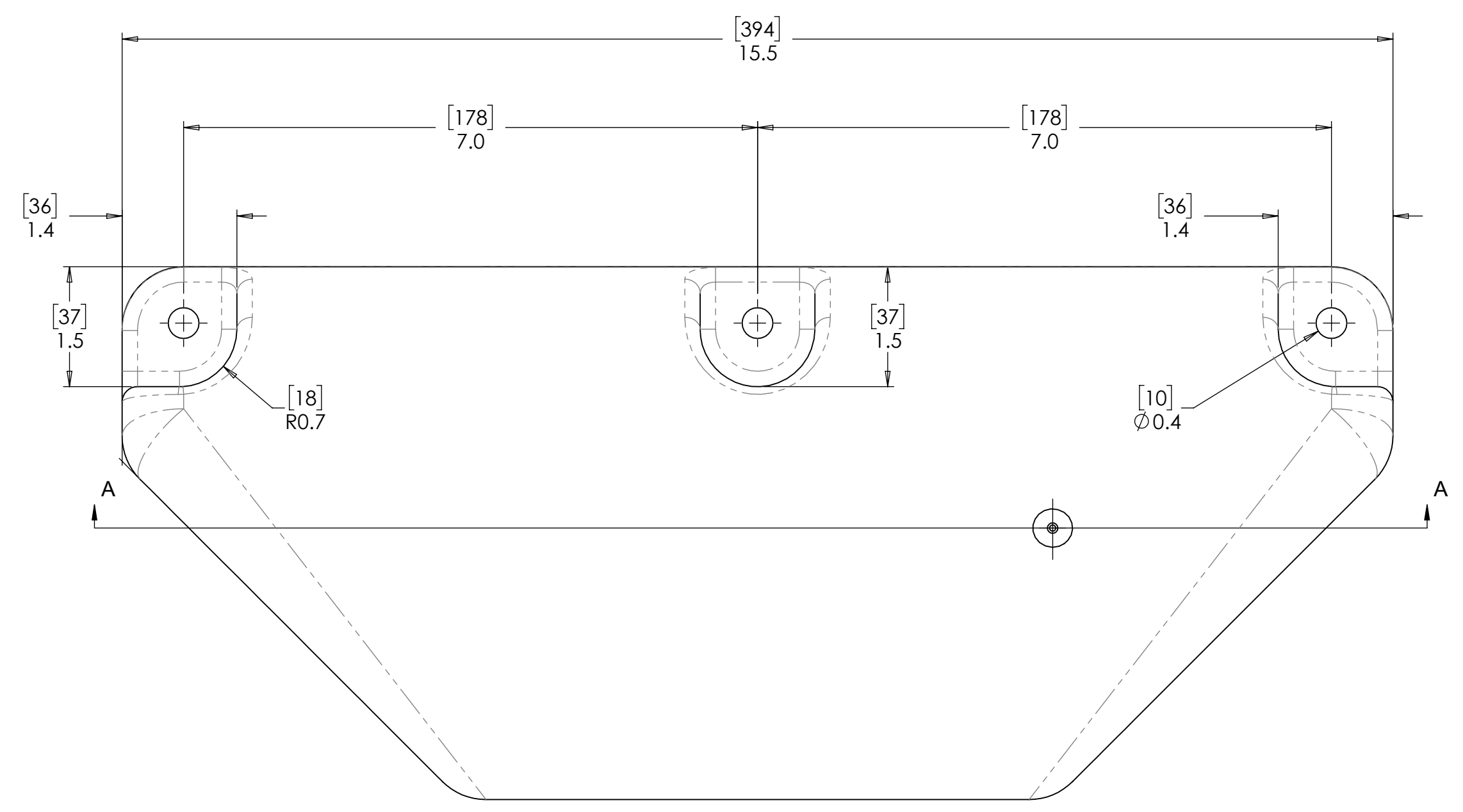
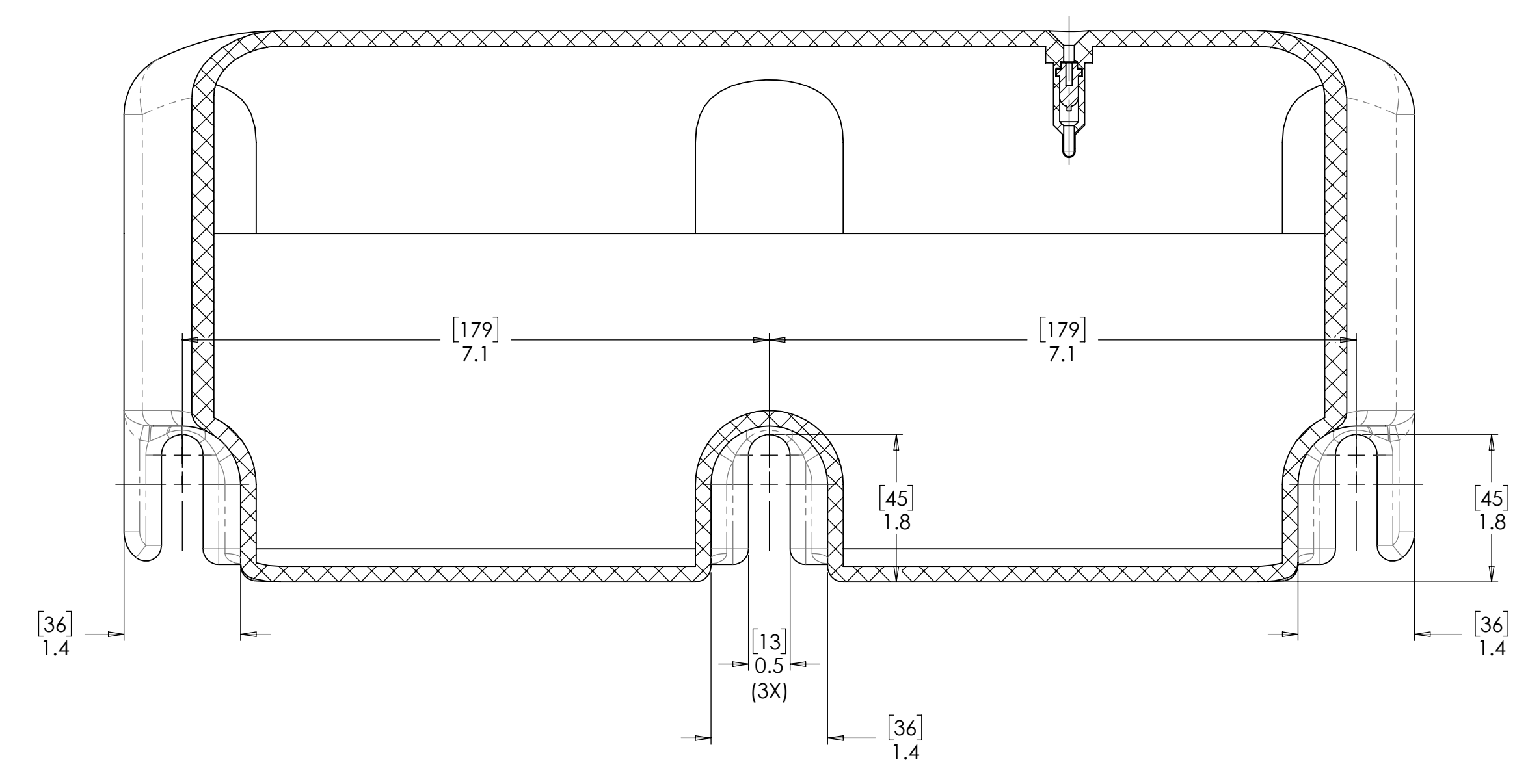


THE INFORMATION CONTAINED IN THIS DRAWING IS THE SOLE PROPERTY OF CANADA METAL (PACIFIC) LTD. ANY REPRODUCTION IN PART OR WHOLE WITHOUT THE WRITTEN PERMISSION OF CANADA METAL (PACIFIC) LTD. IS PROHIBITED.



ISOMETRIC VIEW



SECTION A-A

NOTE: ALL DIMENSIONS ARE NOMINAL DIMENSIONS.

<small>UNLESS OTHERWISE SPECIFIED DIM ARE IN INCHES SURFACE ROUGHNESS 125 µm MAX. PER ASME B46.1-2002 INTERPRET DRAWING PER: ASME Y14.3M-2009 ASME Y14.3M-1994 ASME Y14.1-1995 DIN 16901-1982</small>				<small>POSITION</small> <small>NAME</small> <small>SIGNATURE</small> <small>DATE</small> <small>DDMMYYYY</small>	<p>DOCK EDGE INC. Tel: (905) 850-3999 ext.153 Fax: (905) 850-3040 300 New Huntington Road Woodbridge, Ontario, L4H 0R4</p>	
<small>THIRD ANGLE PROJECTION</small> 				<small>DRAWN</small> <small>CHECKED</small> <small>DESIGN</small> <small>APPROVED</small>		<p>7" x 16" DockSide™ Dock Bumper, White</p>
<small>SCALE</small> D		<small>PART IDENTIFICATION NO.</small> DE1060WF	<small>DWG. NO.</small> DE3180	<small>REV.</small> 01		
<small>SCALE</small> D		<small>MATERIAL</small> DE1060WF	<small>WEIGHT</small> DE3180	<small>SHEET</small> 01		
<small>1 OF 1</small>						